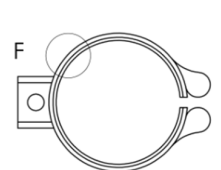
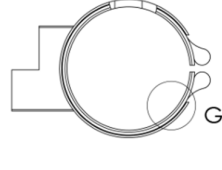

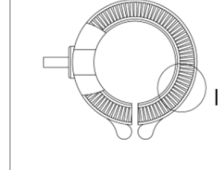
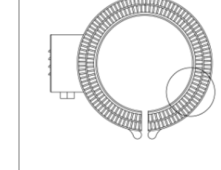




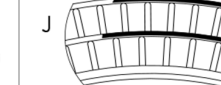


MICA BAND HEATERS

MICA BAND HEATERS

CALMIC10	MICA insulated band heater	CALMIC16	MICA Insulated band heater with 1-layer cover
CALMIC12	MICA Insulated Band Heater with 1 Layer Amiant	CALMIC18	MICA Insulated Band Heater with 2 Layer Cover
CALMIC14	MICA Insulated Band Heater with 3 Layer Amiant		

MODELS

Selection					
Code	CALMIC10	CALMIC12	CALMIC14	CALMIC16	CALMIC18
Image					
Section					
MATERIAL	Galvanized / Stainless Steel *				
Wall Thickness	3.5mm	6mm	10.5mm	17mm	30.5mm
Max. Operation temperature	400°C				
Max. Load (w/cm2)	4 W/cm2				
Operating voltage	9 ~ 600V				
clamp glamp	5 ~ 10 mm				
high voltage stability	1000 ~ 1200V AC				
performance tolerance	± %5				
clamping	Capsule / Screw				
temperature sensor	Type : K, J, PT100				

Standard production is made using galvanized material. Stainless steel material is used at your request.

DIMENSIONS

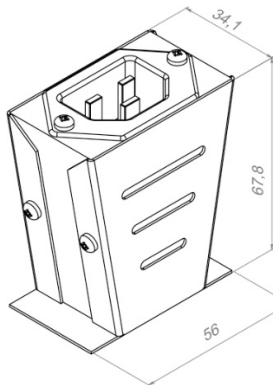
Type	Diameter (Ø)	Length
CALMIC10	25 - 600 mm*	15 - 500 mm**
CALMIC12	80 - 600 mm*	50 - 500 mm**
CALMIC14	80 - 600 mm*	80 - 500 mm**
CALMIC16	80 - 600 mm*	100 - 500 mm**
CALMIC18	80 - 600 mm*	100 - 500 mm**

*larger diameters on request

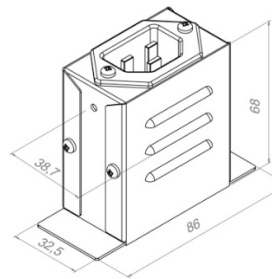
** longer length on request

CONNECTORS

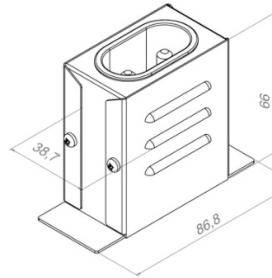
Energy Connection Types



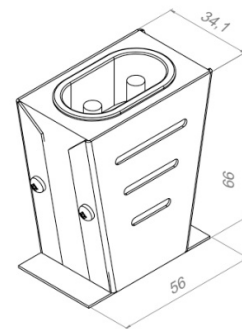
3 PINS PLUG
CONNECTION
TRIANGLE TYPE
PRODUCT ID
YM0103002002



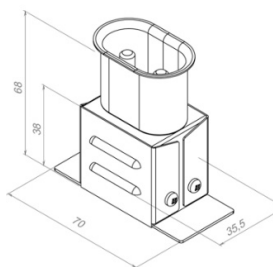
3 PINS PLUG
CONNECTION
PRODUCT ID
YM0103002003



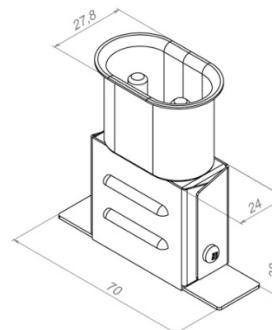
2 PINS PLUG
CONNECTION
PRODUCT ID
YM0103001001



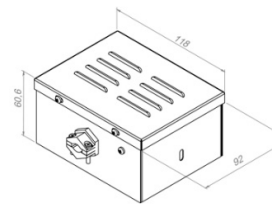
2 PINS PLUG
CONNECTION
TRIANGLE TYPE
PRODUCT ID
YM0103001002



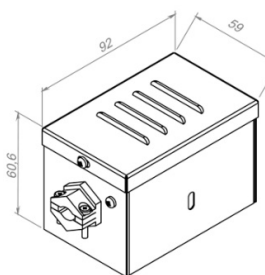
2 PINS PLUG
CONNECTION WIDE-
BOX
PRODUCT ID
YM0103001003



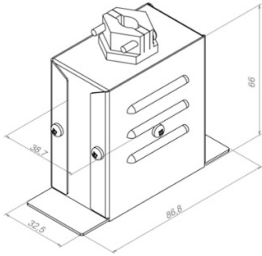
2 PINS PLUG
CONNECTION
NARROW-BOX
PRODUCT ID
YM0103001004



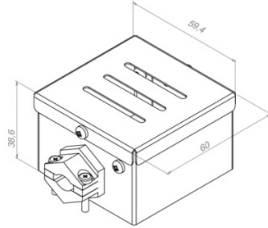
CONNECTION BOX
with TERMINAL NO:5
PRODUCT ID
YM0101001500



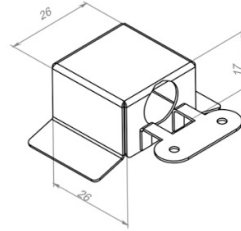
CONNECTION BOX
with TERMINAL NO:4
PRODUCT ID
YM0101001400



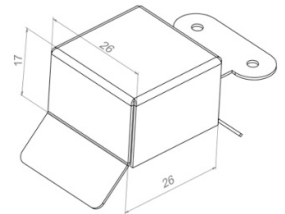
CONNECTION BOX with
TERMINAL NO:1
PRODUCT ID
YM0101001100



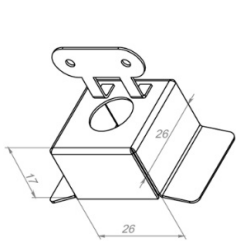
CONNECTION BOX with
TERMINAL NO:3
PRODUCT ID YM0101001300



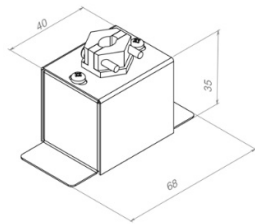
CABLE BOX NO:1
PRODUCT ID
YM0102001001



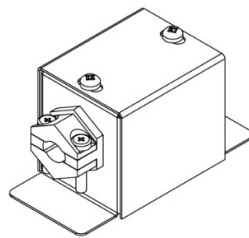
CABLE BOX NO:2
PRODUCT ID
YM0102001002



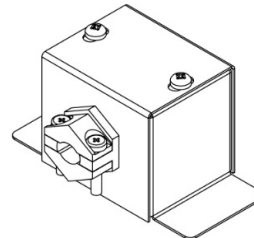
CABLE BOX NO:3
PRODUCT ID
YM0102001003



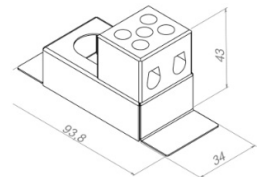
CABLE BOX NO:6
PRODUCT ID
YM0102001006



CABLE BOX NO:7
PRODUCT ID
YM0102001007

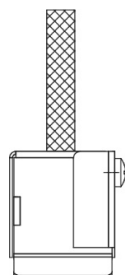


CABLE BOX NO:8
PRODUCT ID
YM0102001008

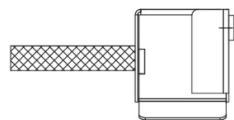


L TYPE TERMINAL
CONNECTION
PRODUCT ID
YM0104001001

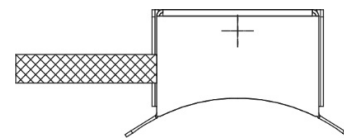
Connector cable



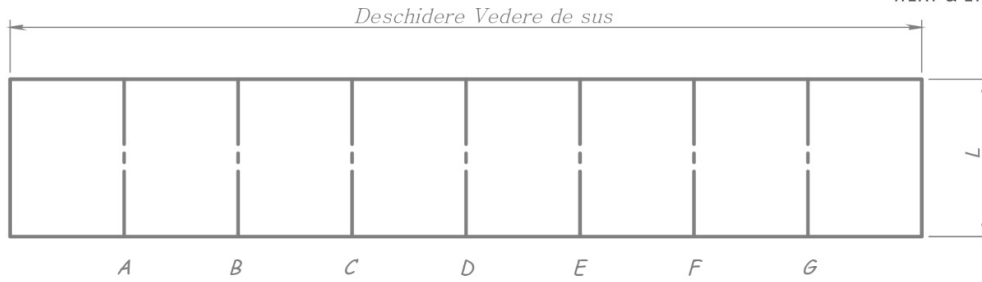
Con Cab A



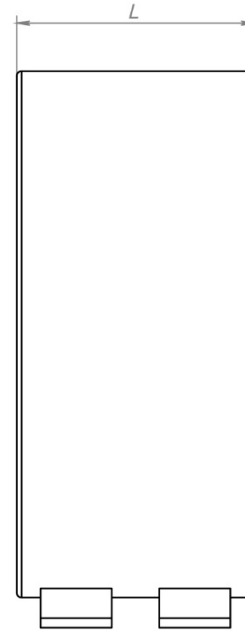
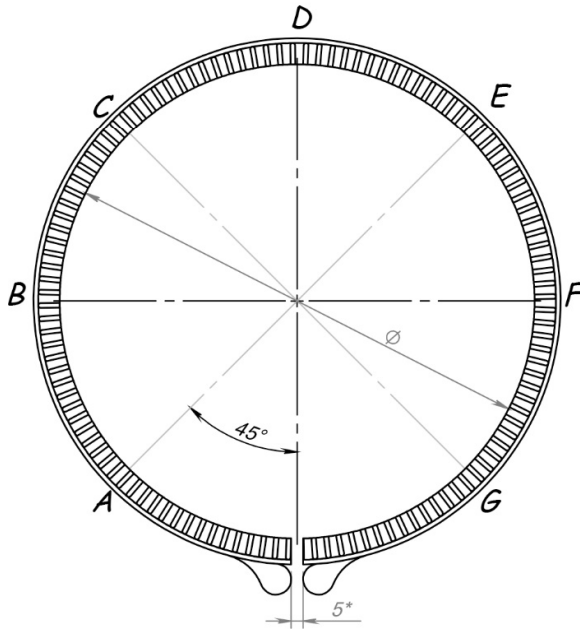
Con Cab B



Con Cab C



Regiunea energetică și zonele de găuri



Request				
Ø		L		Code
Cable L		Connector Cable		Connectors Code
Volt:		Watt:		
Holes Positions		Holes Dimensions		

the product should be placed properly at the place of use

the voltage value on the label can be used

*after the product is heated, installation of the product at the place of use should be checked
product should not be subjected to any impact that may come from the outside and cause breakage
the product should be kept away from liquid or raw materials*